

# INSTALLATION / OPERATION INSTRUCTIONS LIFT UNIT KIT 6637

READ ALL INSTRUCTIONS AND CHECK PACKAGE CONTENTS

## INSTALLATION

1. Position lift units on trailer "A" frame. If trailer tongue consists of a single tube or other narrow member, a pole tongue adapter (P/N 3280) must be used.
2. Rotate spring bars parallel to trailer frame. Hold chain vertical. Center lift units with chain [See figure 1].
3. Turn 1/2-13 x 3-1/2 bolt until it contacts the frame. Then tighten 1/2 – 3/4 turn with wrench. **DO NOT OVER TIGHTEN.**

## NOTE:

Optional mounting holes are provided for trailers that do not permit use of 1/2 - 13 bolt [See figure 2]. **CONSULT TRAILER FRAME MANUFACTURER FOR APPROVAL PRIOR TO DRILLING HOLES.** 3/8" hardware is recommended whether it is self-tapping or nut and bolt.

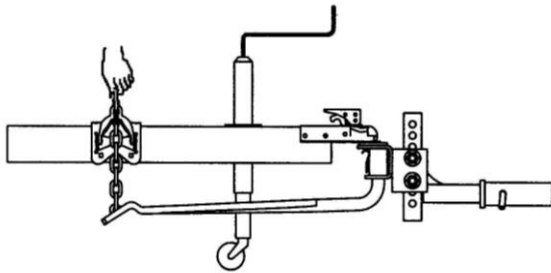


FIGURE 1

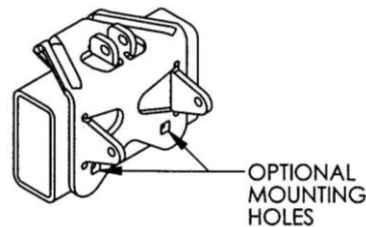


FIGURE 2

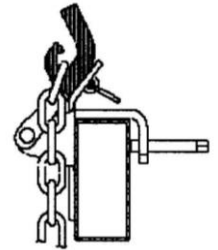


FIGURE 3

## CAUTION:

**FOR SAFE AND PROPER OPERATION, LIFT UNIT MUST BE MOUNTED LEVEL AND WITH THE SPRING BAR CHAINS AGAINST THE TRAILER FRAME (SEE FIGURE 3).**

## OPERATION

**BEFORE OPERATING LIFT UNIT, RAISE COUPLED TRAILER WITH THE TONGUE JACK APPROXIMATELY THREE INCHES. THIS WILL REDUCE SPRING BAR TENSION AND MAKE LIFT UNIT OPERATION EASIER.**

1. Remove spring clip from back of unit [See figure 3].
2. Slide handle over the large handle hook on the lift unit.
3. Lower the lift unit with the handle.

## WARNING:

**KEEP CLEAR OF THE SWING PATH OF ALL MOVING PARTS WHEN OPERATING LIFT UNIT.**

4. Select the appropriate chain link. Attach upper end of chain link to lift unit hook, while allowing remaining free links to fall down to the outside of the trailer frame.

5. **There must be at least 6 links between the lift unit and the spring bar.** This is necessary for proper operation of the spring bars during turns(See figure 4), If there are less than 6 links, the angle of the head assembly must be increased.

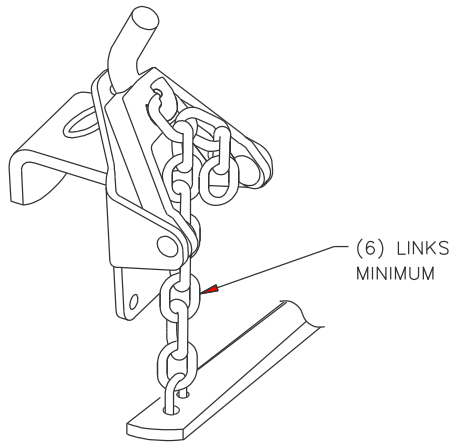


FIGURE 4

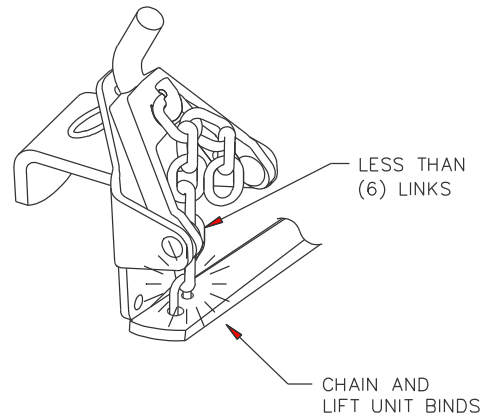


FIGURE 5

**CAUTION: FAILURE TO CONNECT THE SPRING BAR CHAIN CORRECTLY AND PROVIDE AT LEAST 6 LINKS BETWEEN LIFT UNIT AND SPRING BAR CAN RESULT IN DAMAGE TO THE LIFT UNIT. FIGURE 5 SHOWS INCORRECT SPRING BAR CHAIN HOOK UP.**

6. Use handle to raise lift unit. Use both hands on the handle and maintain control at all times.
7. Insert spring clip [See figure 3].